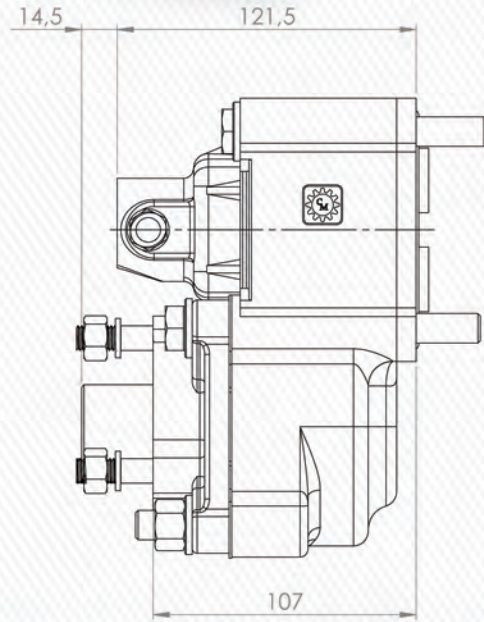
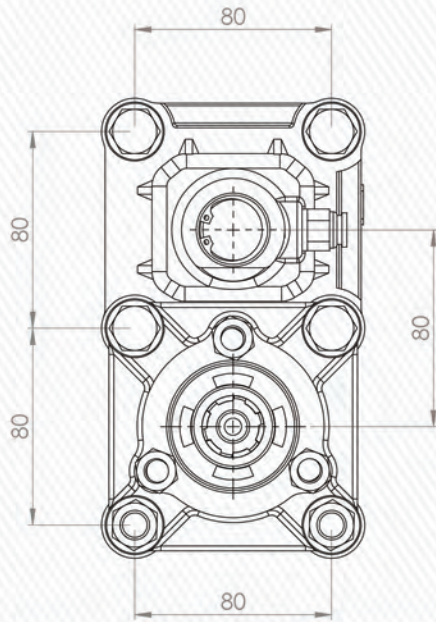




ÖZCİHAN MAKİNA

PTO KODU / 044 A1
PTO CODE / 044 A1



ARAÇ MARKASI TRUCK BRAND	ANA ŞANZIMAN MODELİ GEARBOX MODEL	BAGLANTI MOUNTING SIDE	PTO ÖZELLİĞİ PTO TYPE	ÇIKIŞ DEVRİ (1000 dev/dk) OUTLET SPEED (1000 RPM INLET)	ÇIKIŞ TORKU OUTLET TORQUE	GÜÇ (Kw) POWER (KW)	AĞIRLIĞI WEIGHT	DÖNÜŞ YONU ROTATION SENSE	DİŞLİ TİPİ GEAR TYPE
BMC, MAN, MERCEDES	ZF S6 65 - ZF S6 66 - ZF 6 S 800 - ZF 6 S 1000	KUYRUKTAN REAR	ÇİFT DİŞLİ HAVALI DOUBLE THREAD PNEUMATIC	580 dev/dk 580 RPM	25 KGM	15 kw	5,5 Kg		





ÖZCİHAN MAKİNA

PTO KODU / 044 A1

PTO CODE / 044 A1

NO	PARÇA ADI/PART NAME	KOD/CODE	AD./QUAN.
1	GÖVDE/BODY	1.01.002	1
2	HAVA YASTIKLI DİŞLİ/ GEAR	1.03.05	1
3	HY AKUPLE DİŞLİ/ GEAR	1.18.05	1
4	MERKEZLEME/CENTERING	1.15.23	1
5	PISTON/PYSTON	1.13.03	1
6	PUL 28X3/ROVE	1.22.03	1
7	YAY/SPRING	02 Y MAN	1
8	RULMAN 6001/BEARING	007 6001	1
9	RULMAN 6010/BEARING	020 6010	1
10	RULMAN NK4020/BEARING	008 NK4020	1
11	RULMAN NK4220/BEARING	041 NK 4220	1
12	SEGMAN 472X28/CIRCLIP	03 S 472X28	2
13	SEGMAN 471X12/CIRCLIP	04 S 471X12	1

NO	PARÇA ADI/PART NAME	KOD/CODE	AD./QUAN.
14	SEGMAN 472X30/CIRCLIP	05 S 472X30	1
15	SEGMAN 472X37/CIRCLIP	06 S 472X37	1
16	SEGMAN 472X80/CIRCLIP	01 S 472X80	1
17	KEÇE 20X13X5/SEAL	01 K 20X5	1
18	KEÇE 37X26X5.5/SEAL	02 K 37X5.5	1
19	KEÇE 50X80X8/SEAL	05 K 80X8	1
20	RULMAN HK6020/BEARING	009 HK6020	1
21	RONDELA M12/WASHER	01 R M12	4
22	AK SOMUN M12/NUT	01 AKS M12	4
23	SAPLAMA M12X45/STUD	01 S M12X45	4
24	KAPAK 28X5/COVER	01 KPK 28X5	1
25	KAPAK 37X5/COVER	02 KPK 37X5.5	1
26	O-RING 82.22X2.62	16 O 82.2x2.6	1

