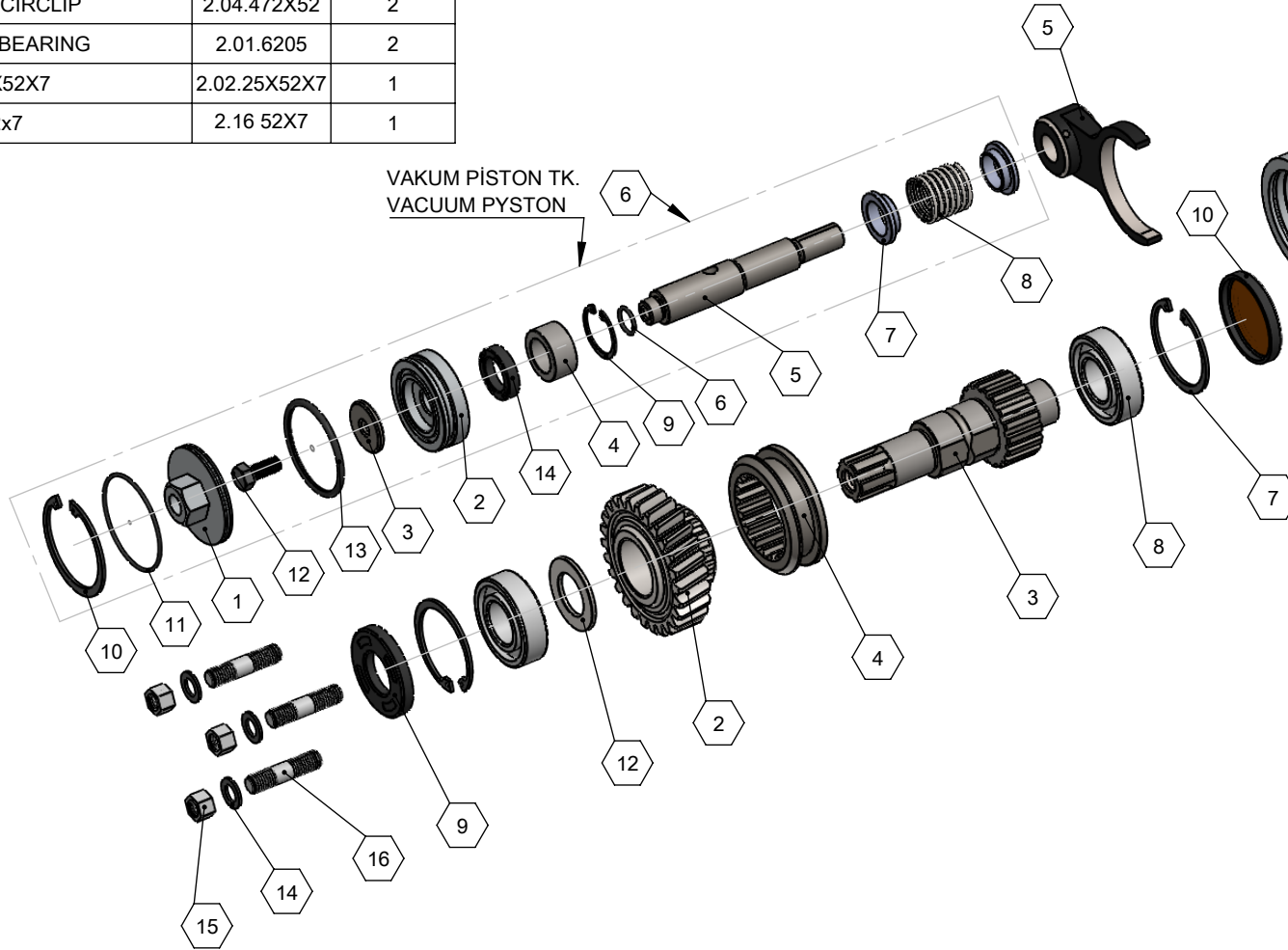
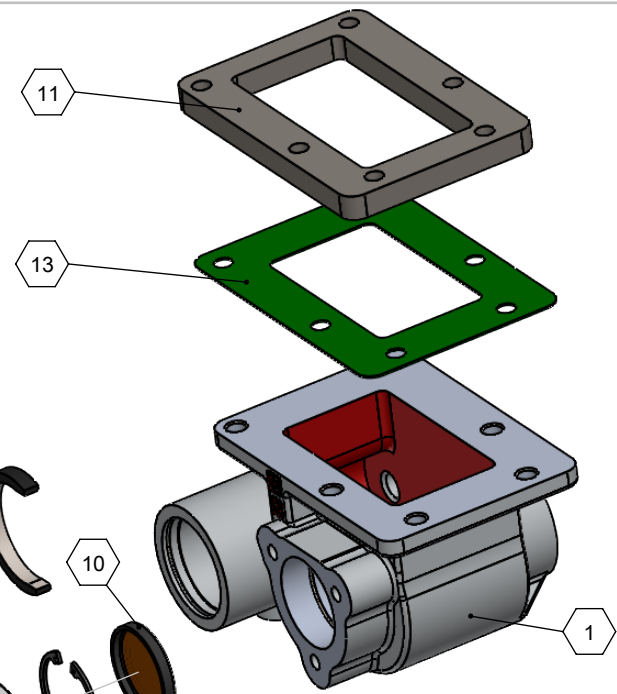


NO	PARÇA ADI / PART NAME	KOD / CODE	ADET / QNY	NO	PARÇA ADI / PART NAME	KOD / CODE	ADET / QNY
1	VAK.GÖVDE / VAC.BODY	1.01.019 V	1	11	252 PLAKA / PLATE		1
2	DİŞLİ / GEAR	1.17.226	1	12	PUL / ROVE	1.22.06	1
3	SENK. MİL / SYNK. SHAFT	1.06.08	1	13	252 CONTA / SEAL		1
4	ÇATAL DİSLİ / FORK GEAR	1.07.10	1	14	RONDELA-WASHER	2.14 M10	3
5	CATAL / FORK	1.09.09 C	1	15	SOMUN-NUT	2.08 M10	3
6	VAK. PİST. / VAC.PYS.		1	16	SAPLAMA- STUD	2.07 M10X45	3
7	SEGMAN-CIRCLIP	2.04.472X52	2				
8	RULMAN-BEARING	2.01.6205	2				
9	KECE 25X52X7	2.02.25X52X7	1				
10	KAPAK 52x7	2.16 52X7	1				



VAKUM PİSTON TK.
VACUUM PYSTON

NO	PARÇA ADI/PART NAME	KOD / CODE	ADET/QNY
1	VAK. KAPAGI / VAC.COVER	1.13.22	1
2	VAK. PİSTON / PYSTON	1.13.20	1
3	VAK.PYS.PUL / PYS. ROVE	1.13.23	1
4	20X30X14.5 DAYAMA / STOPR	1.22.26	1
5	CEKME MİL KV / LIFT ROAD	1.10.19	1
6	Ø12.32x2.62 O-RING	2.03.12.32X2	1
7	YAY DAYAMA/SPRING STOPR	1.22.22	2
8	YAY / SPRING	2.11.08 Y	1
9	SEGMAN / CIRCLIP	2.04.472X30	1
10	SEGMAN / CIRCLIP	2.04.472X57	1
11	Ø50.5x1.8 O-RING	2.03.50.5X1.8	1
12	CİVATA / SCREW	2.10AKBM8X20	1
13	Ø44x3.5 O-RING	2.03.44X3.5	1
14	20x30x7 KECE-SEAL	2.02.20X30X7	1